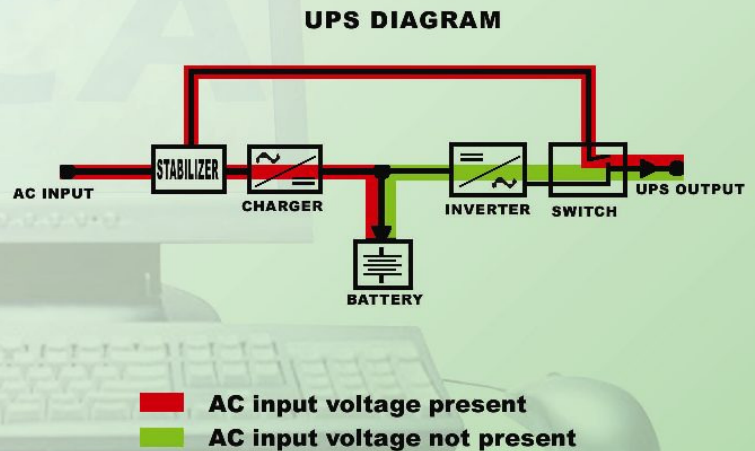


The Best Solution For Power System

FEATURES :

CP SERIES

- Compact Design
- Compact Size and Lightweight
- Easy to Use
- EMI/RFI Filter
- Build-in AVR
- Build-in Sealed Lead Acid Battery
- Audible and Visual Indicators
- Computer Interface Port RS232
- High Efficiency
- High Reliability



Protect your computers and sensitive equipments from any electrical disturbance.